



JXQ1 Series

Automatic transfer switch



www.jinxu.cc

JXQ1 Series Automatic transfer switch

Overview



The dual power automatic switch is a newly developed miniature household power switch, which is mainly used to test whether the main power supply or stand by power supply is normal. When the normal power supply is abnormal, the stand by power supply starts to work immediately, which ensures the continuity, reliability and safety of power supply. This product is specially designed for household rail installation and is specially used for PZ30 distribution box. The dual power automatic switch is suitable for emergency power supply systems with 50 or 60Hz and rated 400V AC. ATS has the characteristics of solid structure, reliable conversion, convenient installation and maintenance and long service life. It is widely used in various occasions where power failure cannot be sustained, and can be operated by electricity or manually. ATS is composed of TSE and controller. According to GB/T14048. 11, Part 6-1: multi functional equipment and switchgear is formulated. It can be seen that ATS is the most qualified low-voltage switchgear and control device.

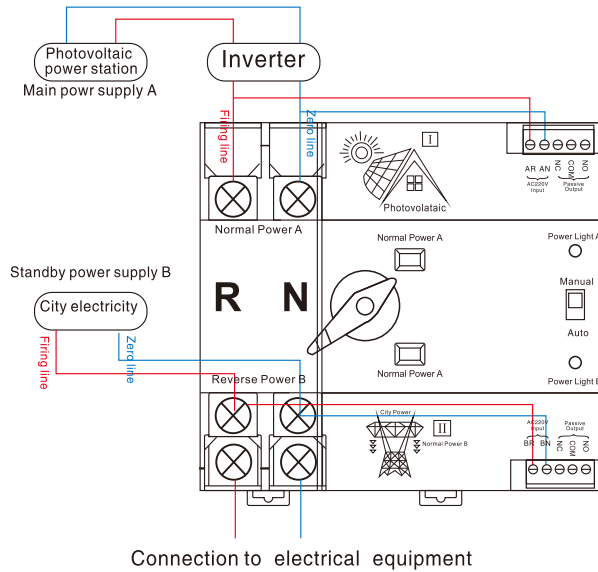


Main technical parameters

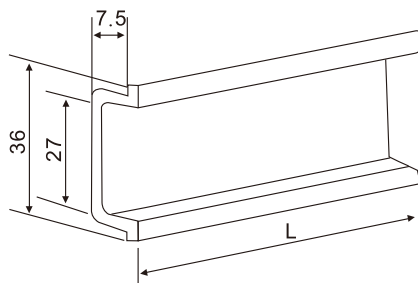
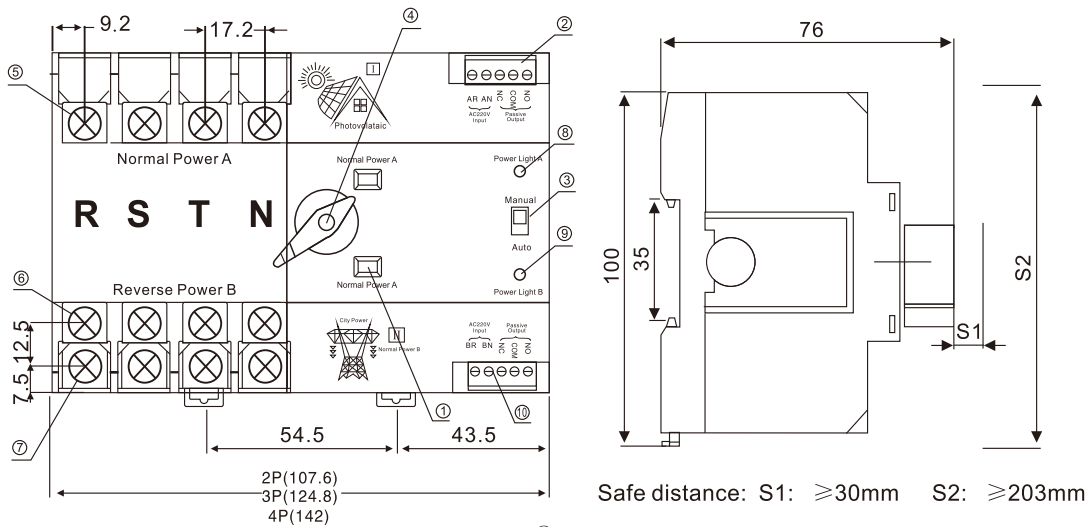
Specifications	100A		
Rated current I_e (A)	16 20 25	32 40 50 63	80 100
Insulation voltage U_i	AC690V,50Hz		
Rated voltage U_e	AC400V,50Hz		
Classification	PC class: can be manufactured and withstood without short-circuit current		
Utilization category	AC-33iB		AC-31B
Pole No.	2P	3P	4P
Weight(kg)	1.7	2.1	2.6
Electrical	Life: 2000 times; Manual operation: 5000 times		
Rated short circuit current I_q	50kA		
Short circuit protection device (fuse)	RT16-00-63A		
Rated impulse withstand voltage	8kV		
Control circuit	Rated control voltage U_s : AC220V/50Hz Normal working conditions: 85-110% U_s .		
Auxiliary circuit	2 relays, each with two sets of contact converter capacity capacity: AC220V/50HZ $I_e = 5y$		
Conversion time of contactor	<50ms		
Operation conversion time	<50ms		
Return conversion time	<50ms		
Power off time	<50ms		

JXQ1 Series Automatic transfer switch

Special connection mode of photovoltaic inverter



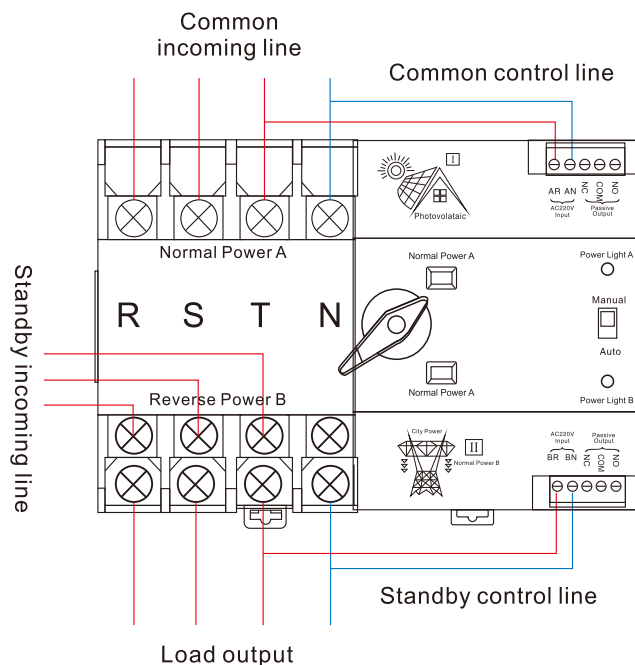
Overall and installation dimension of 100



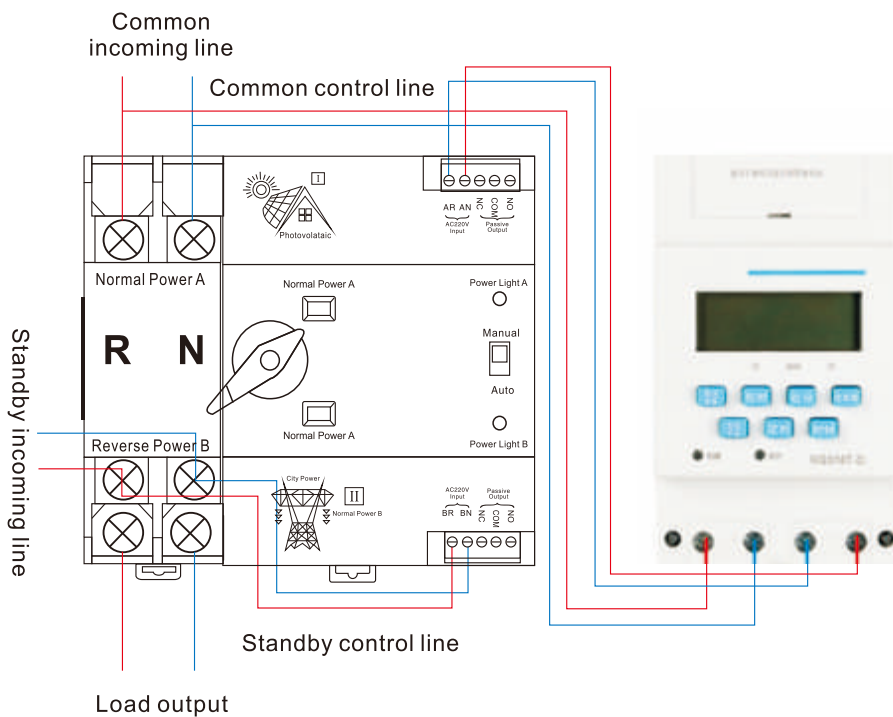
- ① Status position indication
- ② Main power terminal and passive signal(AC220V)
- ③ Manual / automatic switch
- ④ Manual handle
- ⑤ Main terminal of common power side
- ⑥ Main terminal of standby power side
- ⑦ Main terminal of load connection side
- ⑧ A power indicator
- ⑨ B power indicator
- ⑩ Standby power terminal and passive signal(AC220V)

JXQ1 Series Automatic transfer switch

100/4P wiring diagram



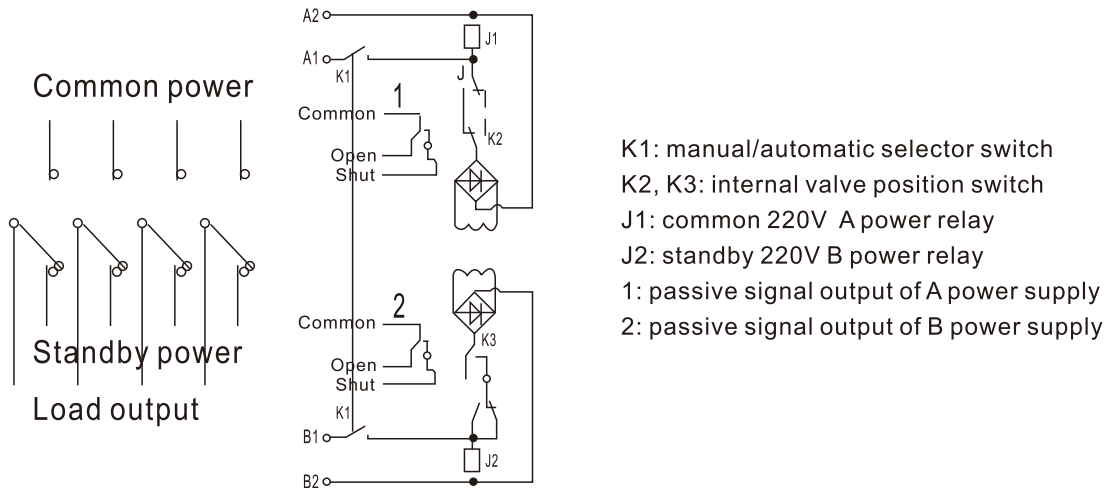
Timing switching connection mode



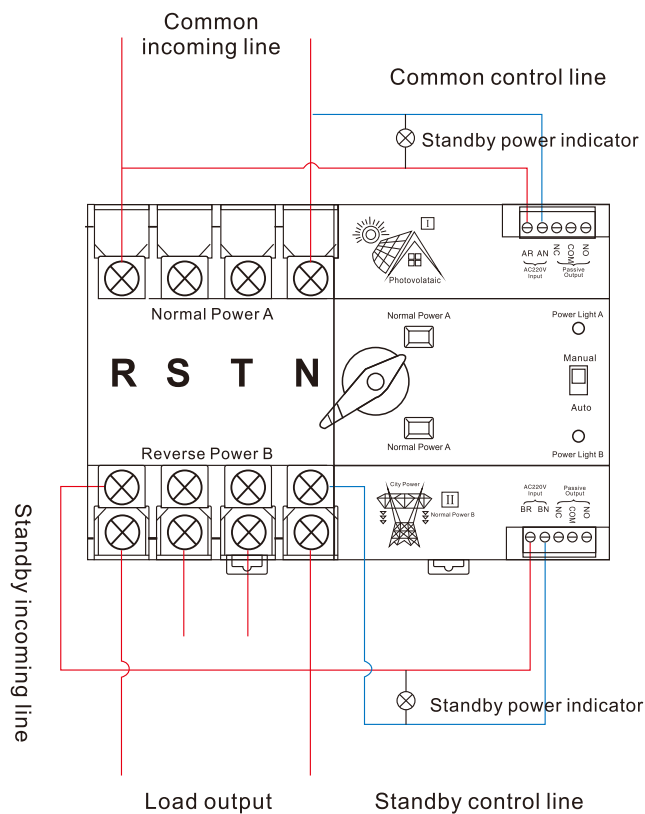
JXQ1 Series Automatic transfer switch

100 type wiring diagram

Internal wiring diagram

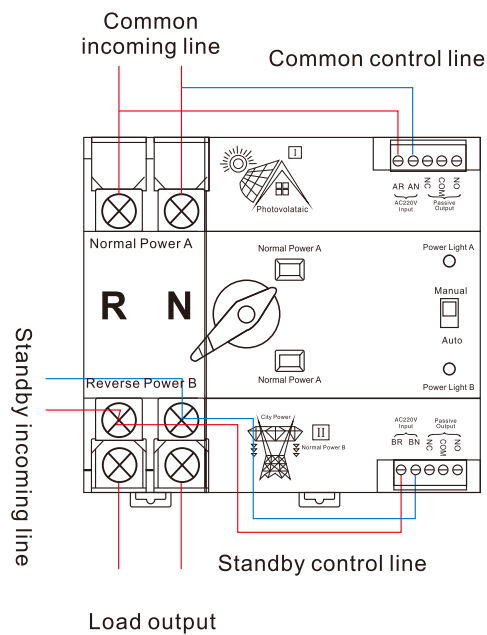


Controller wiring diagram



JXQ1 Series Automatic transfer switch

100/2P wiring diagram



100/3P wiring diagram

